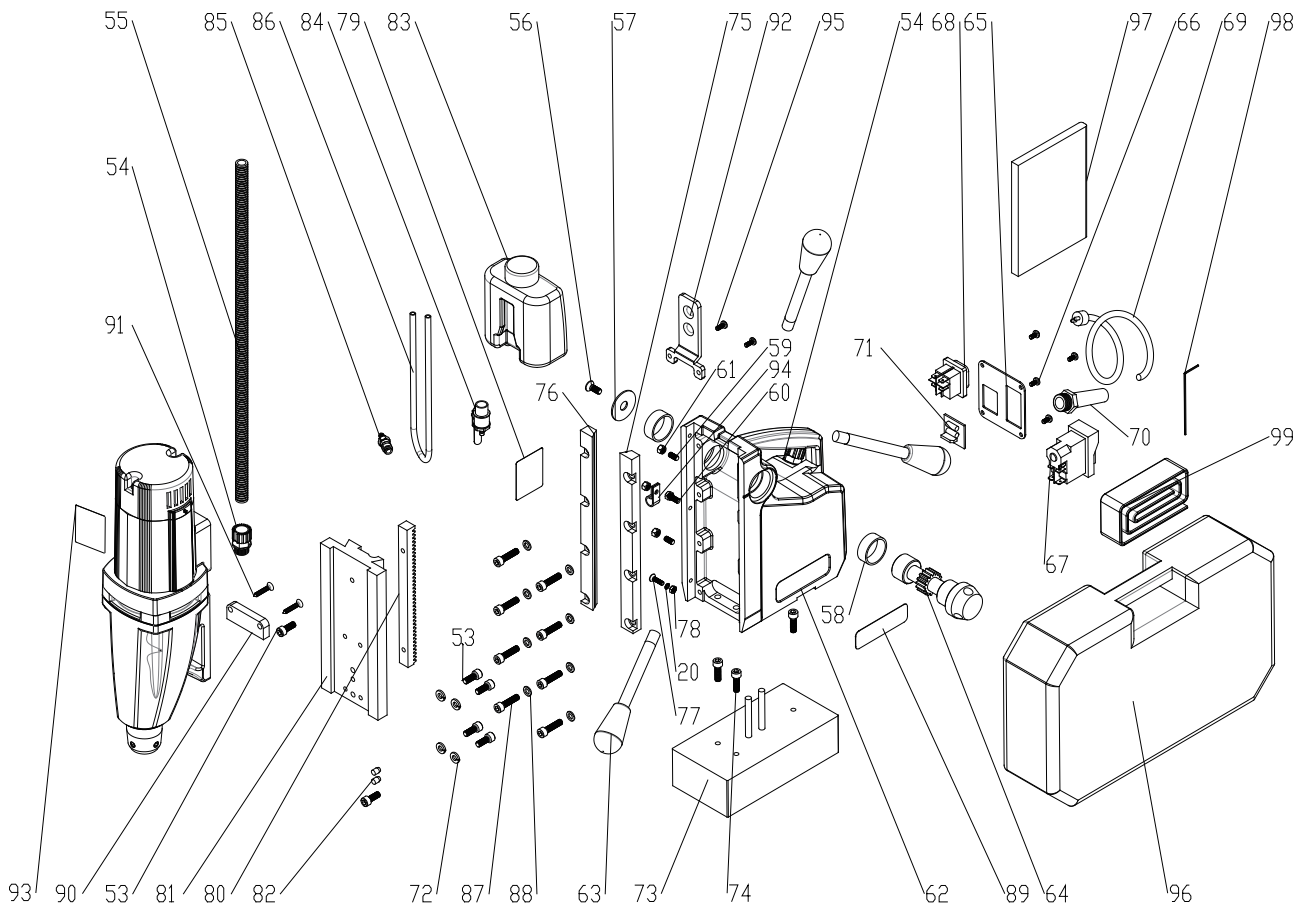
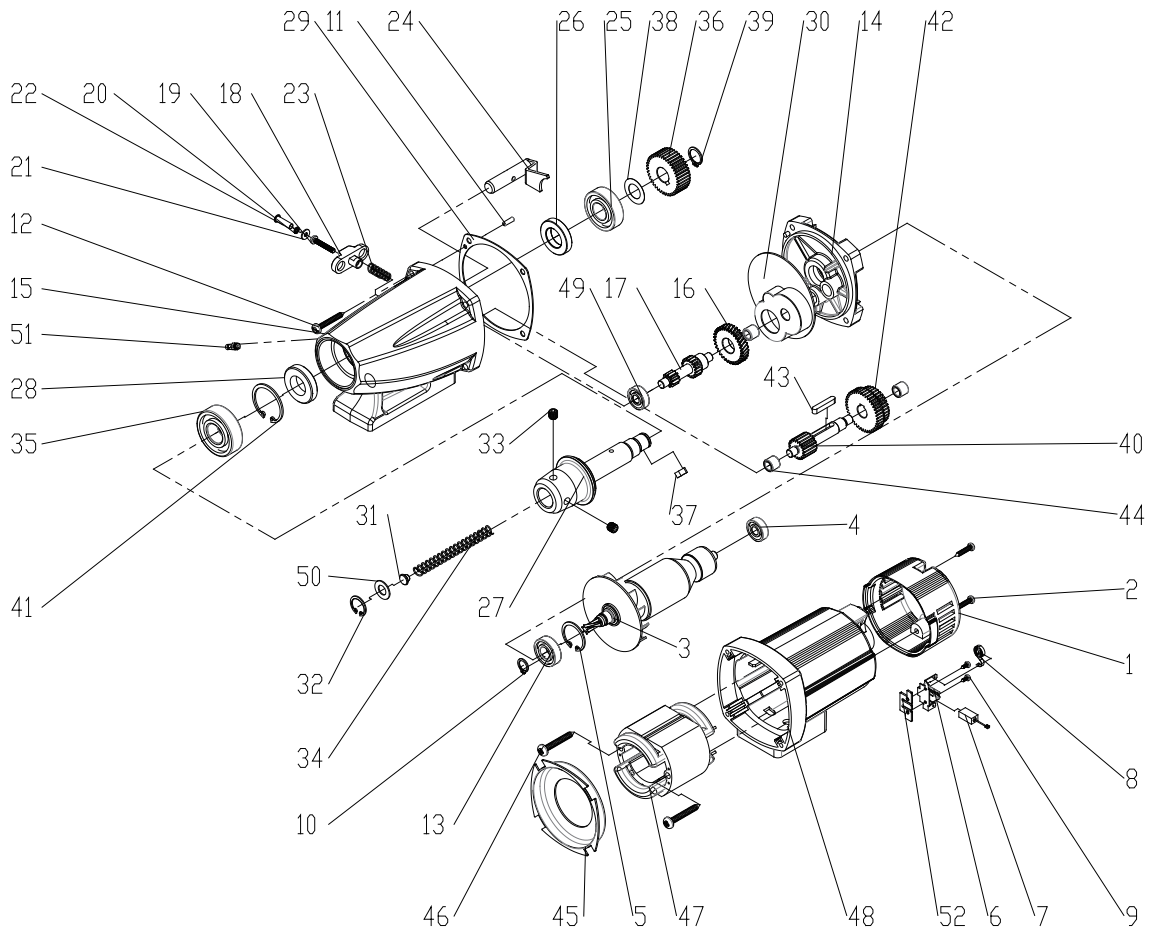


MagPro 40 2S



ITEM	PART NO	Q'TY	PART NAME	Price in € excl. VAT
1	MA402S01	1	MOTOR COVER	PA6-GF35 Black
2	MA402S02	2	Self Tapping Screw	TS4*18
3	MA402S03UK	1	Armature	(115V)
3	MA402S03	1	Armature	(230V)
4	MA402S04	1	Ball Bearing	608ZZ
5	MA402S05	1	Circlip Ring	28X1.2 (DIN 472)
6	MA402S06	2	Brush Holder	
7	MA402S07UK	2	Carbon Brush	(115V)
7	MA402S07	2	Carbon Brush	(230V)
8	MA402S08	2	Brush Spring	
9	MA402S09	4	Self Tapping Screw	TS3X8
10	MA402S10	1	Circlip Ring	C-11
11	MA402S11	1	Screw	M4*12
12	MA402S12	4	Self Tapping Screw	TS4.8X40
13	MA402S13	1	Ball Bearing	6001ZZ
14	MA402S14	1	Gear Box Cover	
15	MA402S15	1	Gear Box	
16	MA402S16	1	First Gear	33Teeth
17	MA402S17	1	FIRST GEAR SHAFT	17/11Teeth(Two Spee
18	MA402S18	1	Speed Selector Knob	
19	MA402S19	1	Screw	M4*25
20	MA402S20	2	External Tooth Washer	φ4
21	MA402S21	1	Flat Washer	φ4
22	MA402S22	1	Hollow Rivet	5*18L
23	MA402S23	1	Spring	φ0.7*φ6.8*13
24	MA402S24	1	Speed Selector Shaft	
25	MA402S25	1	Ball Bearing	6203 LLU
26	MA402S26	1	Shaft Sealing Ring	20*35*7
27	MA402S27	1	Spindle 1835	φ20 X 132.2mm
28	MA402S28	1	Shaft Sealing Ring B	20*37*8
29	MA402S29	1	Gear Box Gasket	
30	MA402S30	1	Grease Separator Plate	
31	MA402S31	1	Spring Bracket	φ10.4*φ6.3*6
32	MA402S32	1	Circlip Ring	C19
33	MA402S33	2	Set Screw	M8*8
34	MA402S34	1	Compression Spring	φ10.1*φ1*98
35	MA402S35	1	Ball Bearing	6204 LLU
36	MA402S36	1	Spindle Gear	40 Teeth
37	MA402S37	1	Square Key	5*5*10
38	MA402S38	1	Flat Washer	φ15xφ26x0.15t
39	MA402S39	1	Circlip Ring Shaft	15X1 (DIN 471)
40	MA402S40	1	Second Gear	18Teeth
41	MA402S41	1	External Retaining Ring	37X1.5 (DIN 471)
42	MA402S42	1	Second Gear	34/40Teeth (Two Spe
43	MA402S43	1	Square Key	5*5*28
44	MA402S44	3	Roller Bearing	HK-0810
45	MA402S45	1	Fan Guide	
46	MA402S46	2	Self Tapping Screw	TS5*65
47	MA402S47UK	1	Field Assembly	110V
47	MA402S47	1	Field Assembly	220V
48	MA402S48	1	Motor Housing	
49	MA402S49	1	Ball Bearing	608
50	MA402S50	1	Washer	18.9*10*1T
51	MA402S51	1	PU Tube Fitting	φ4.8Xφ6X18
52	MA402S52	2	Brush Holder Bakelite	1.5mm Bakelite
53	MA402S53	6	Hex Socket Head Screw	M6*16
54	MA402S54	2	Tube Fitting	PG9
55	MA402S55	1	Cable Protection Tube	φ13*φ9*470mm

MagPro 40 2S | 490142

56	MA402S56	1	Hexagon Socket Head Cap Screw	M6*16 (ISO 7047)
57	MA402S57	1	Washer	φ10.5 x φ35 x 1.5
58	MA402S58	2	Bushing	φ28 x φ32 x 12
59	MA402S59	2	Hex Socket No Head Screw	M5x12
60	MA402S60	1	Hex Socket No Head Screw	M5x16
61	MA402S61	4	Hex Nut	M5
62	MA402S62	1	Guide Rail Housing	
63	MA402S63	3	Height Adjust Handle	
64	MA402S64	1	Height Adjustment Shaft	
65	MA402S65	1	Switch Holding Plate	
66	MA402S66	4	Screw	M4*8
67	MA402S67UK	1	Motor Switch	110v
67	MA402S67	1	Motor Switch	220v
68	MA402S68	1	Magnet Switch	
69	MA402S69UK	1	Cable	110V (SJ)
69	MA402S69	1	Cable	230V (VDE)
70	MA402S70	1	Cable Protector	PG11
71	MA402S71	1	Control Board	6 Terminals (110V+22
72	MA402S72	4	Spring Washer	S6(T=1mm)
73	MA402S73UK	1	Magnet	220V
73	MA402S73	1	Magnet	115V
74	MA402S74	3	Hex Head Socket Screw	M6x20
75	MA402S75	1	Adjustment Rail (R)	12*228mm
76	MA402S76	1	Adjustment Rail (L)	12*228mm
77	MA402S77	1	Flat Head Screw	M4X16
78	MA402S78	2	Hex Nut	M4
79	MA402S79	1	Warning Label	
80	MA402S80	1	Rack	M1.5X37 Teeth 180M
81	MA402S81	1	Dovetail Rack	85MM X 200MM
82	MA402S82	2	Set Pin	6 pcs M6 x 10 (DIN 63
83	MA402S83	1	Coolant Tank	
84	MA402S84	1	Control Valve	
85	MA402S85	1	Quick Set Coupling	
86	MA402S86	1	PU Clear Tube	φ6Xφ4X300mm
87	MA402S87	8	Hex Socket Head Screw	M6x25(Head Height 4
88	MA402S88	8	Flat Washer	φ6.4Xφ11X 1.6
89	MA402S89	1	Label	MagPro-230V
90	MA402S90	1	Wire Cover	
91	MA402S91	2	Flat Head Self Tapping Screw	M4*25
92	MA402S92	1	Coolant Tank Set Plate	
93	MA402S93	1	Speed Label	MagPro-230V
94	MA402S94	1	Coolant Hose Guide	
95	MA402S95	2	Screw	M4*10
96	MA402S96	1	Carrying Case	ACC3-B
97	MA402S97UK	1	Instruction Manual	115V
97	MA402S97	1	Instruction Manual	220V
98	MA402S98	1	Hexagonal Wrench	4MM
99	MA402S99	1	Safety Latching Strap	